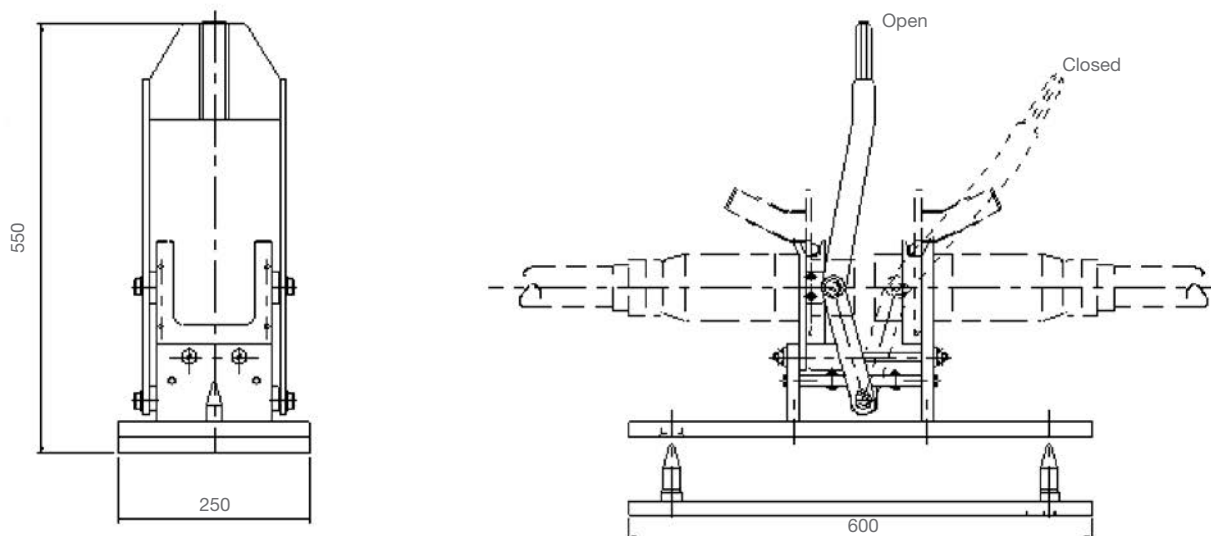


FLOOR COUPLER MECHANISM

Document: JFN-129-012

Issue: version 1

James Fisher
Nuclear



- Floor mounted coupler suitable for use with James Fisher Nuclear Coupler Connectors and RMS Coupler Connectors
- Manufactured from stainless steel
- Part of a range of products designed for use by large power manipulators and MSMs.
- Adopted by Sellafield Ltd as an Intermediate Level Waste (ILW) standard product.

ORDERING CODE 129/12/002

Connectors Suitable for use with Coupler Assembly:

| Connector Part No. | Description |
|--------------------|---|
| 129/12/012 | High Power Connector Size 28 Coupler Connector Size 36 Coupler Connector Size 40 Coupler Connector |
| 129/12/015 | |
| 129/12/026 | |
| 129/12/027 | |



www.jfnl.co.uk

James Fisher Nuclear Limited is registered in Scotland No.: SC204768 North Meadows, Oldmeldrum, Inverurie, Aberdeenshire, AB51 0GQ
James Fisher Nuclear Limited is a subsidiary of James Fisher and Sons plc