

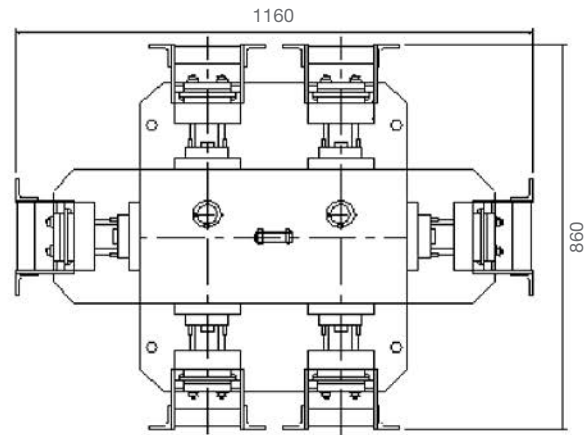
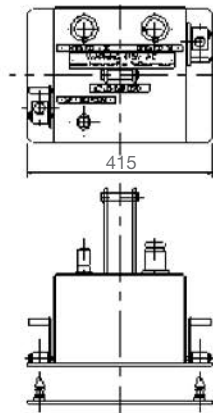
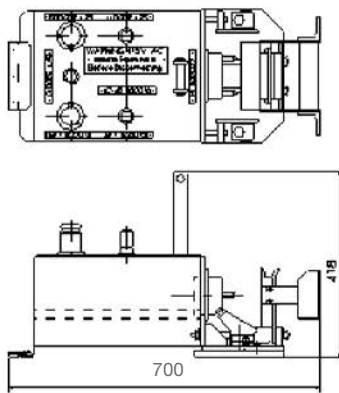
# REMOTE INSTALLABLE JUNCTION BOXES

James Fisher  
Nuclear



Document: JFN-129-011

Issue: version 1



Single Coupler JB

Connector to Connector JB

Marshalling JB

- Radiation tolerant to  $10^8$  Rads
- Stainless steel housing
- Waterproof to IP 66
- Layout customised to individual footprint specific for application
- All junction boxes are specified with connector arrangements to suit application
- Can be sealed or manufactured with access panels if required
- Supplied wired to customer drawings
- Lowered in place with a power manipulator or crane and automatically latched to the base-plate. For removal the latch levers are raised and the box lifted from the location pins.
- Part of a range of products designed for use by large power manipulators and MSMs
- Adopted by Sellafield Ltd as an Intermediate Level Waste (ILW) standard product

| Junction Box Type               | Generic Part Number | Types Of Connectors Which Can be Fitted  | Description  |
|---------------------------------|---------------------|--|--|
| Connector To Gland Junction Box | 129/12/023          | 129/12/003<br>129/12/010<br>129/12/009<br>129/12/003                             | The number, type and layout of the connectors are specific to application. Uses glands for entry or exit.  |
| Connector To Connector          | 129/12/020          | 129/12/010<br>129/12/009<br>129/12/003   | The number, type and layout of the connectors are specific to application.   |
| Coupler                         | 129/12/004          | 129/12/010<br>129/12/009<br>129/12/015<br>129/12/026<br>129/12/027               | The number, type and layout of the connectors are specific to application. Typically fitted with only one coupler connector.   |
| Marshalling                     | 129/12/006          | 129/12/015<br>129/12/026<br>129/12/027<br>129/12/003<br>129/12/010<br>129/12/009 | The number, type and layout of the connectors are specific to application. Typically this box would be fitted with multiple coupler connectors for main electrical distribution. It can be fitted with other connectors if required. |

Please refer to product specific data sheets for individual connector options. For applications where standard junction box arrangements are not suitable our products can be tailored to suit individual plant requirements. Please contact us to discuss your application.

