

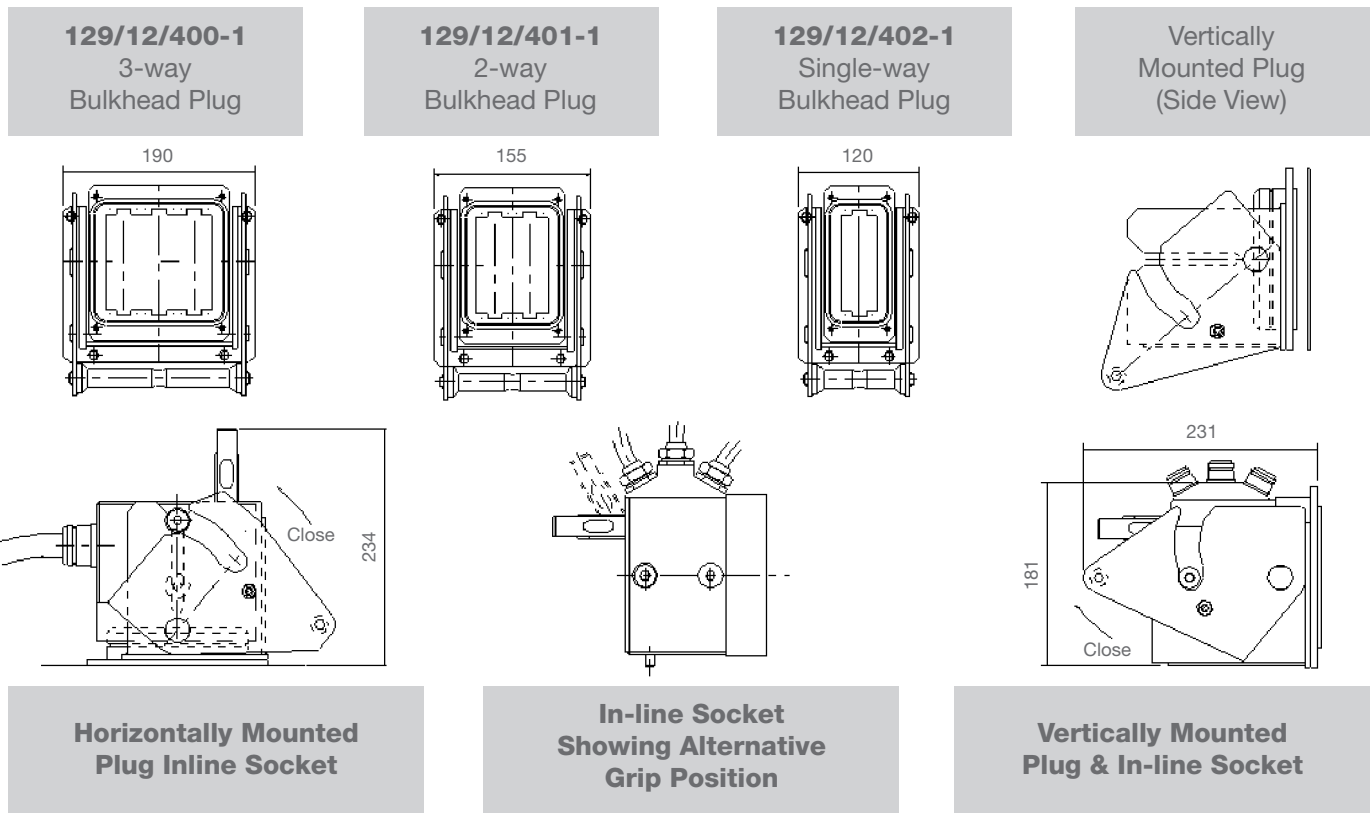
# RADIATION TOLERANT RECTANGULAR CONNECTORS

**James Fisher**  
Nuclear



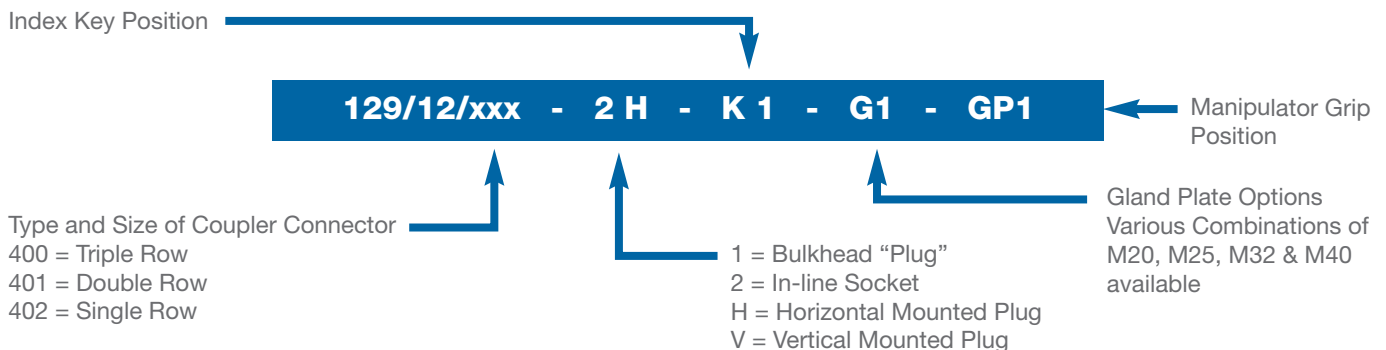
Document: JFN-129-001

Issue: version 1



- Radiation tolerant to 10<sup>8</sup> Rads
- Stainless steel housing
- Waterproof to IP 66
- Keyed to prevent incorrect connections
- Alternate insert types can be incorporated
- Part of a range of products designed for use by large power manipulators and MSMs
- Adopted by Sellafield Ltd as an Intermediate Level Waste (ILW) standard product

## ORDERING CODE



Please contact us to discuss your application.

Inserts:- List separately if required :-

Han 24E:- 24 Contacts 16A @ 380V ac Max + Earth

Han 108DD:- 108 Contacts 10A @ 250V ac Max + Earth

Han 16Hve :- 16 Contacts 16A @ 500V ac Max + Earth + 2 Relay Contacts

