

RADIATION TOLERANT PROXIMITY SENSORS

James Fisher
Nuclear



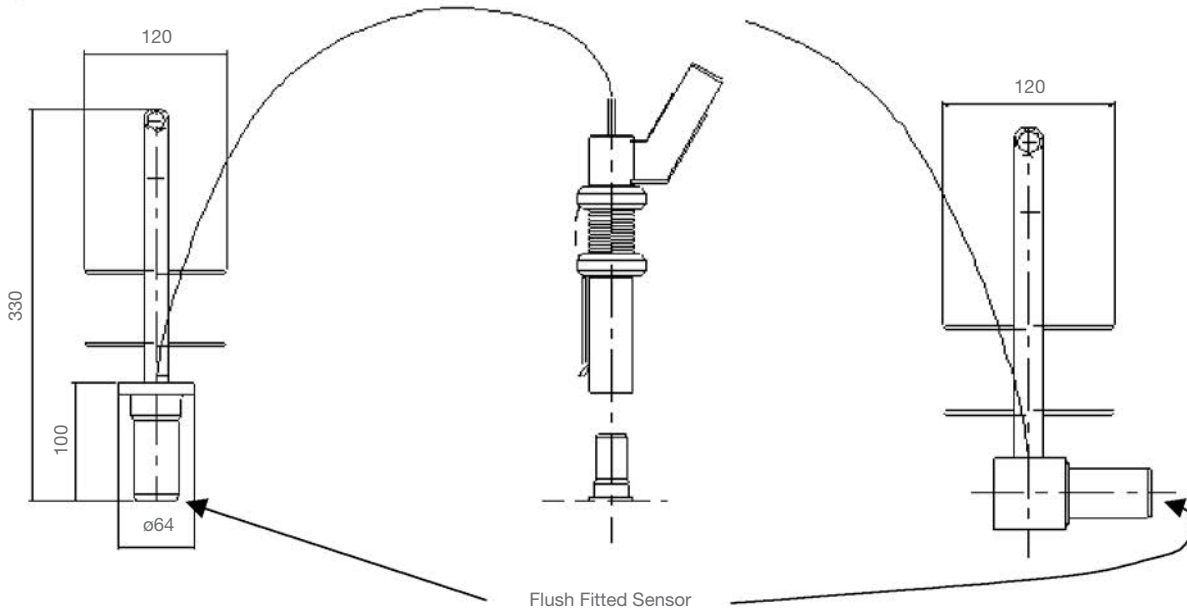
Document: JFN-129-002

Issue: version 1

129/12/008
Vertical
Sensor Housing

129/12/005 & 129/12/009
Compliant and Bulkhead
Connector

129/12/024
Horizontal
Sensor Housing

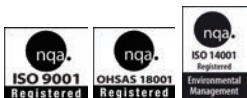


Stainless steel housing containing 5mm Flush Mounting Two Pole, D.C Proximity Switch

- Waterproof to IP 66
- Switching Distance: 5mm
- Ambient Temp Range: -25 to +75°C
- Cable Length as Standard: 5m (Specific cable lengths available on request)
- Cable stowed in sensor housing and deployed as compliant connector is mated
- Part of a range of products designed for use by large power manipulators and MSMs
- Adopted by Sellafield Ltd as an Intermediate Level Waste (ILW) standard product

10mm Alternative Available

Connector Part No.	Description
129/12/034 129/12/035	10mm Vertical Sensor Assembly 10mm Horizontal Sensor Assembly
Both supplied as standard with 5m of cable to Compliant Connector 129/12/005	



www.jfnl.co.uk

James Fisher Nuclear Limited is registered in Scotland No.: SC204768 North Meadows, Oldmeldrum, Inverurie, Aberdeenshire, AB51 0GQ
James Fisher Nuclear Limited is a subsidiary of James Fisher and Sons plc